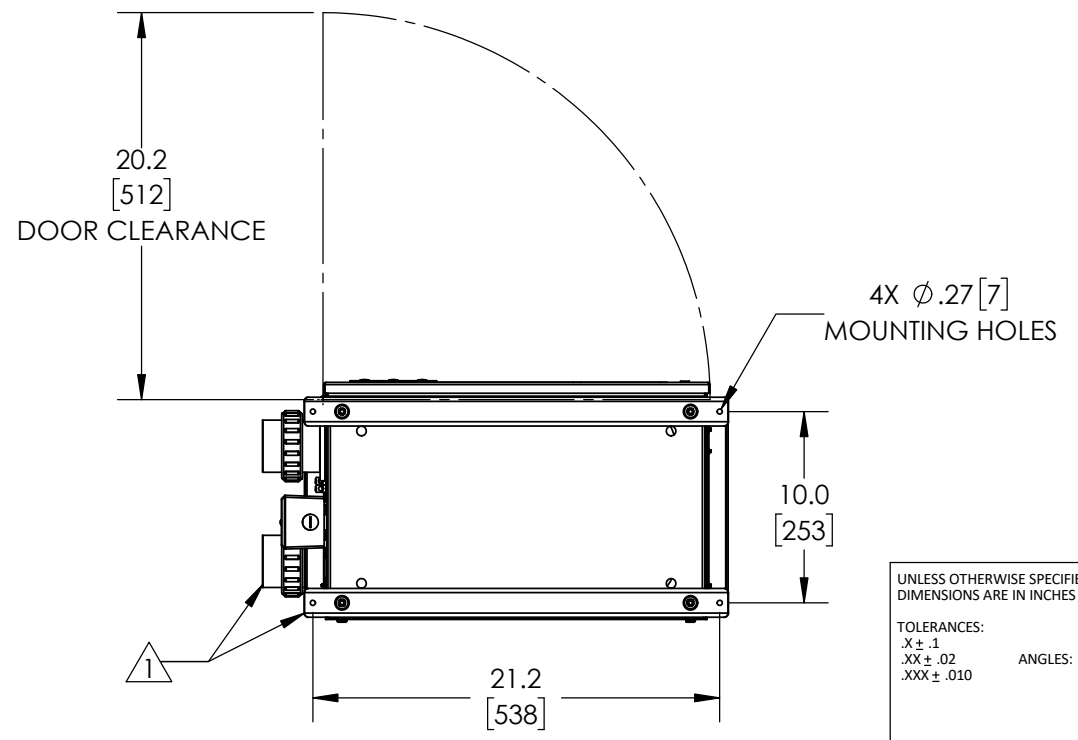
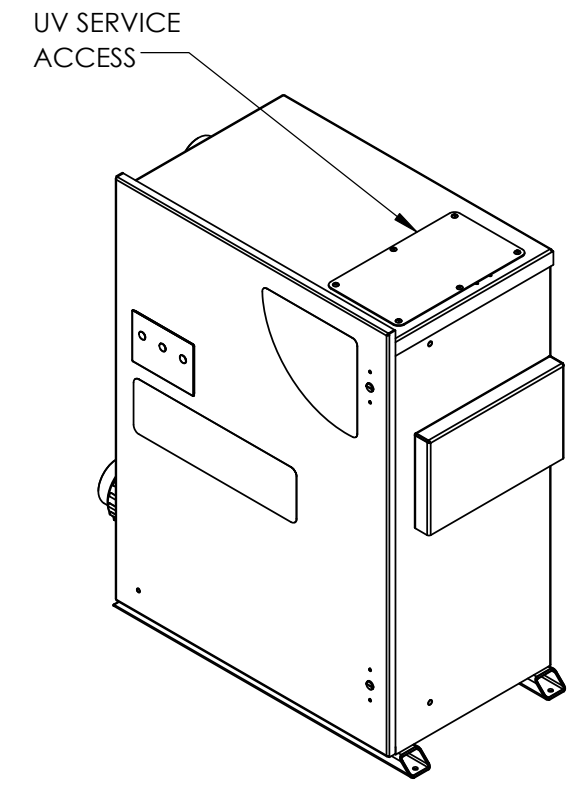
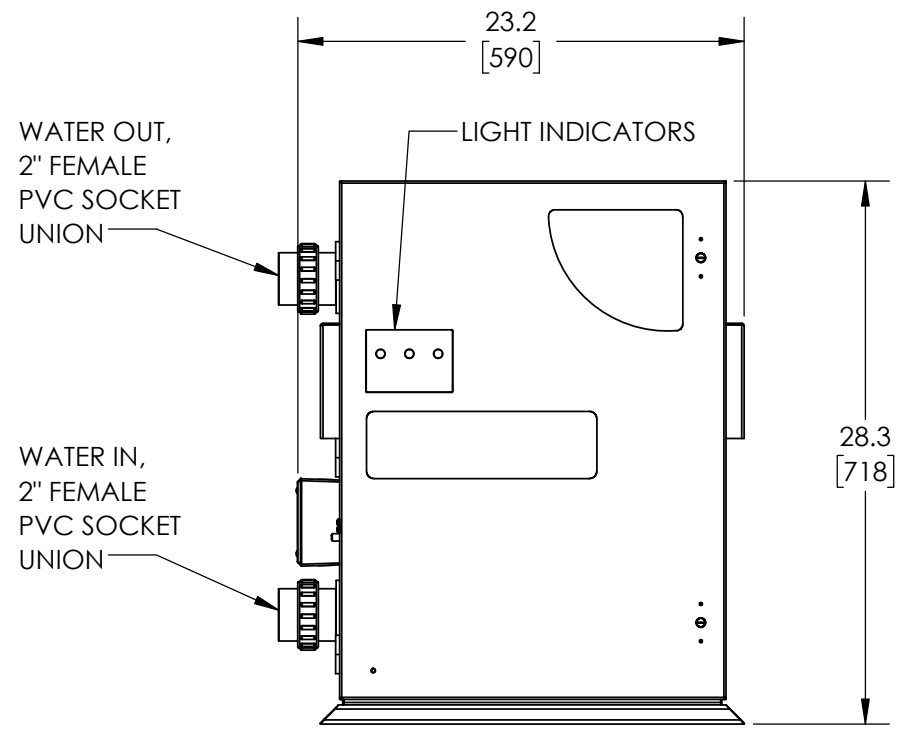
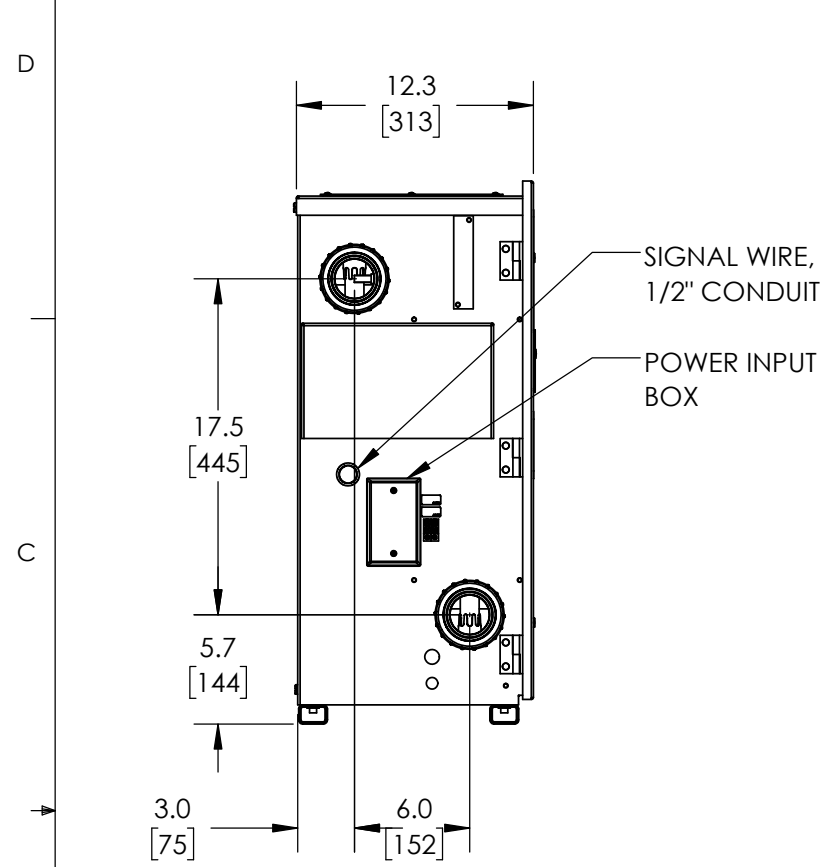


REVISIONS			
REV.	DESCRIPTION	ECN #	DATE
A	INITIAL RELEASE	NPI0105	5/25/2021

SPECIFICATIONS	
MODEL	UVC-PRO-100-XX
POWER	120 V / 1.9 A / 60 Hz
ENCLOSURE RATING	NEMA 12
AMBIENT OPERATING TEMP.	40 - 110 °F (5 - 43 °C)
OPERATING FLOW RANGE	20 -100 GPM
MAXIMUM OPERATING PRESSURE	50 PSI
MAXIMUM WATER TEMP.	102 °F (39 C)
APPROVALS	UL, NSF



NOTES: UNLESS OTHERWISE SPECIFIED


1 2" FEMALE PVC SOCKET UNIONS AND FLOOR/WALL MOUNTING BRACKETS INCLUDED IN PARTS KIT.

2. UVC-PRO-100-01 MODEL SHOWN.

PROPRIETARY AND CONFIDENTIAL

THE INFORMATION CONTAINED IN THIS DRAWING IS THE SOLE PROPERTY OF CUSTOM MOLDED PRODUCTS. ANY REPRODUCTION IN PART OR AS A WHOLE WITHOUT THE WRITTEN PERMISSION OF CUSTOM MOLDED PRODUCTS IS PROHIBITED.

UNLESS OTHERWISE SPECIFIED DIMENSIONS ARE IN INCHES [mm] TOLERANCES: X ± .1 XX ± .02 XXX ± .010 ANGLES: ± 1°	DRAWING STATE:	
	PROJECT #/ECN #:	
	ENGINEERING DESIGN	DATE
	T.MCNEIL	5/25/2021
ENGINEERING APPROVAL		
MATERIAL	NA	
FINISH	NA	
CAD GENERATED DRAWING DO NOT MANUALLY UPDATE		



TITLE: SPECIFICATION, DWG, UVC-PRO-100-XX

PART NO. 4-2696-03

SCALE: 1:10 **WEIGHT:** **SHEET 1 OF 1**

REV
A