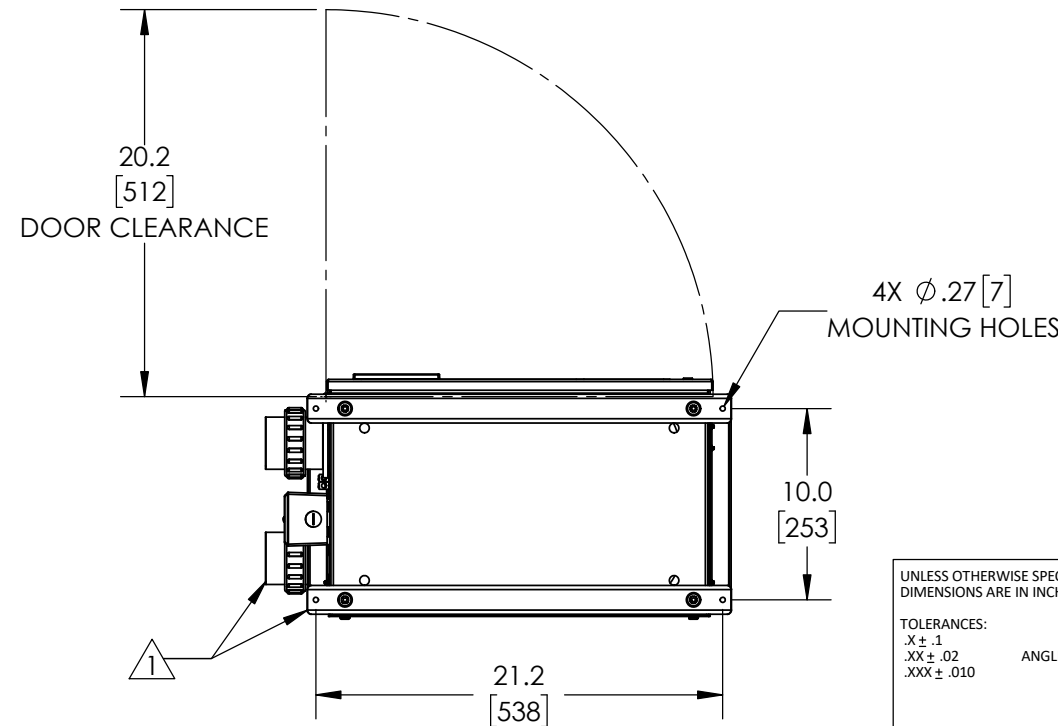
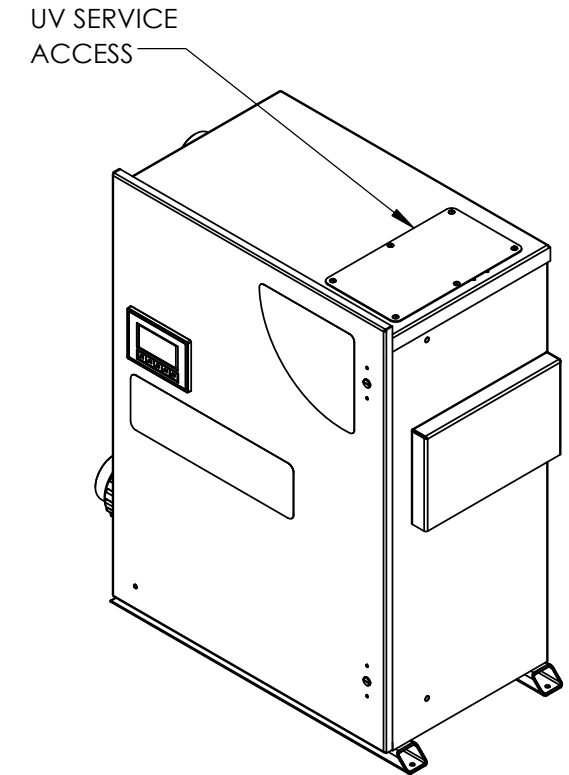
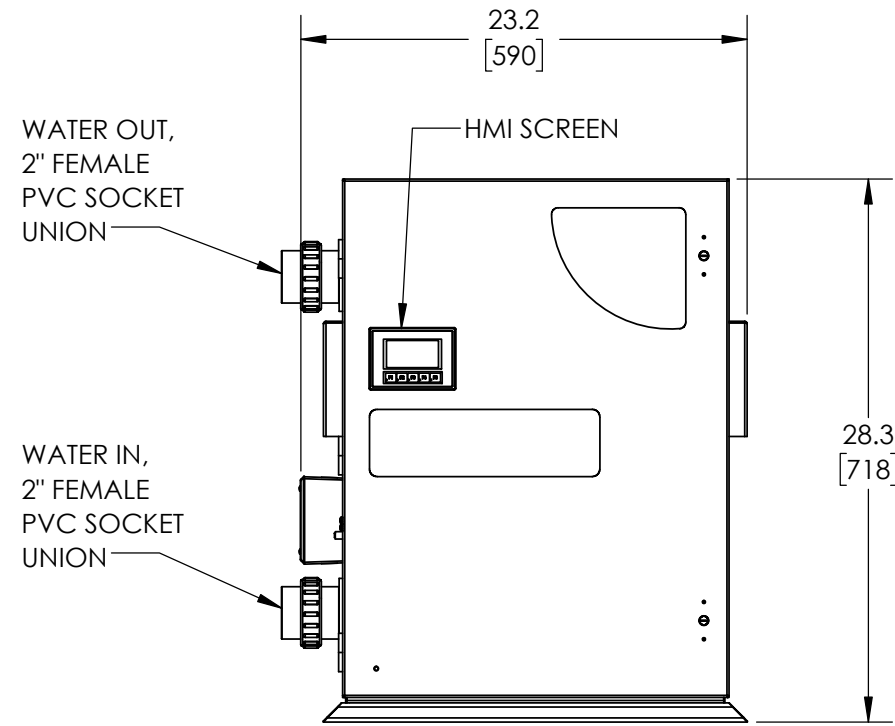
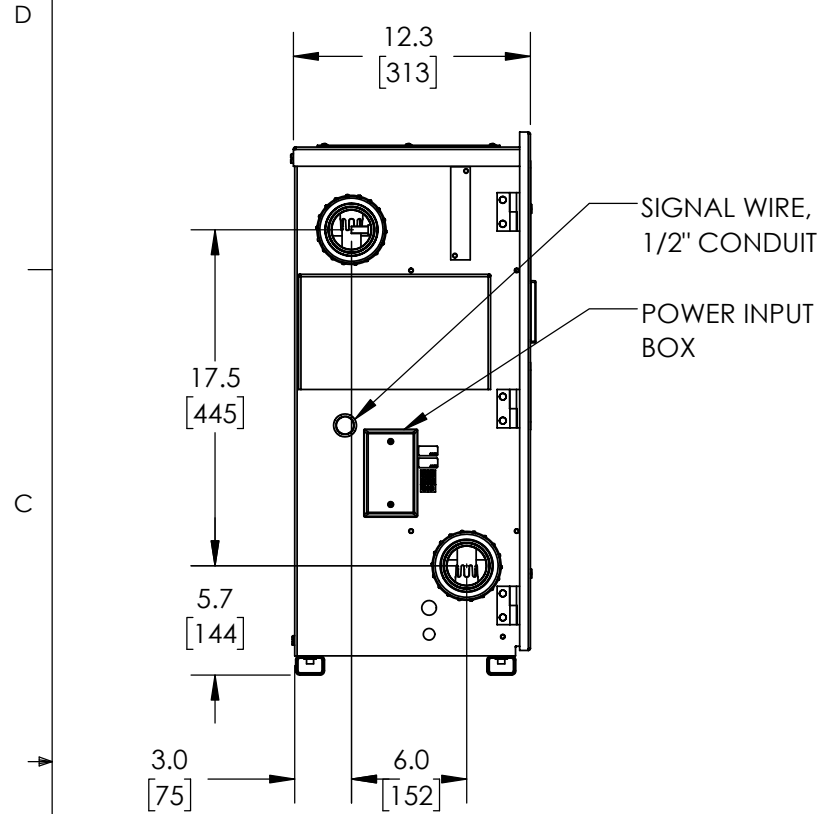


REVISIONS			
REV.	DESCRIPTION	ECN #	DATE
A	INITIAL RELEASE	NPI0105	5/21/2021

SPECIFICATIONS	
MODEL	UVC-PRO-100DXX-XX
POWER	120 V / 2.4 A / 60 Hz
ENCLOSURE RATING	NEMA 12
AMBIENT OPERATING TEMP.	40 - 110 °F (5 - 43 °C)
OPERATING FLOW RANGE	20 -100 GPM
MAXIMUM OPERATING PRESSURE	50 PSI
MAXIMUM WATER TEMP.	102 °F (39 C)
APPROVALS	UL, NSF



NOTES: UNLESS OTHERWISE SPECIFIED

1 2" FEMALE PVC SOCKET UNIONS AND FLOOR/WALL MOUNTING BRACKETS INCLUDED IN PARTS KIT.

2. UVC-PRO-100D-01 MODEL SHOWN.

**PROPRIETARY AND CONFIDENTIAL**  
 THE INFORMATION CONTAINED IN THIS DRAWING IS THE SOLE PROPERTY OF CUSTOM MOLDED PRODUCTS. ANY REPRODUCTION IN PART OR AS A WHOLE WITHOUT THE WRITTEN PERMISSION OF CUSTOM MOLDED PRODUCTS IS PROHIBITED.

UNLESS OTHERWISE SPECIFIED DIMENSIONS ARE IN INCHES [mm]  
 TOLERANCES:  
 X ± .1  
 XX ± .02  
 XXX ± .010  
 ANGLES: ± 1°

DRAWING STATE:	
PROJECT #/ECN #:	
ENGINEERING DESIGN	DATE
T.MCNEIL	5/21/2021
ENGINEERING APPROVAL	



TITLE: SPECIFICATION, DWG,  
 UVC-PRO-100DXX-XX

PART NO.  
 4-2696-04

REV  
 A

MATERIAL	NA
FINISH	NA

CAD GENERATED DRAWING  
 DO NOT MANUALLY UPDATE

SCALE: 1:10  
 DO NOT SCALE DRAWING

WEIGHT:

SHEET 1 OF 1