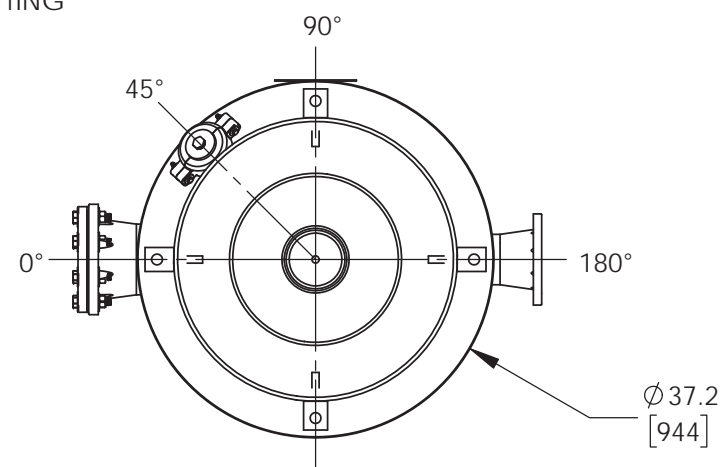


INTERNAL PLUMBING VIEW

DRAIN, 3" VICTAULIC FITTING





BOTTOM VIEW

4X BASE ANCHOR (PROVIDED) FOR 1/2" CONCRETE ANCHOR BOLT (NOT PROVIDED)

SPECIFICATIONS	
MODEL	7-CT-0200
MATERIALS	TANK: HIGH STRENGTH FIBERGLASS, VINYL ESTER RESIN, REINFORCED CORROSION RESISTANT LINER INTERNAL PLUMBING: SCH 80 PVC $\triangle 1$ HARDWARE: 316 SS
PRESSURE	50 PSI WORKING PRESSURE WITH 4:1 SAFETY FACTOR
SEISMIC	ZONE 4
AGENCY	NSF/ANSI STANDARD 50

NOTES

- $\triangle 1$. DEL PROPRIETARY INTERNAL BAFFLING TO MEET NSF CONTACTING REQUIREMENTS.
- $\triangle 2$. LIFTING LUGS TO BE USED ONLY WITH EMPTY TANK.

ALL DIMENSIONS IN INCHES		APPROVALS:	DATE:	PROPERTY OF DEL OZONE THIS DOCUMENT AND THE DATA DISCLOSED HEREIN IS PROPRIETARY. IT IS NOT TO BE REPRODUCED, USED, OR OTHERWISE DISCLOSED IN WHOLE, OR IN PART, TO ANYONE, WITHOUT WRITTEN CONSENT FROM DEL OZONE.	 advanced sanitation solutions	TITLE: SPECIFICATION DRAWING, O3 CONTACT TANK, 200GAL			
TOLERANCES:		DRAWN:	03/20/2019			INTERPRET DRAWING PER ANSI Y14.5-1994 SCALE: 1:20 DO NOT SCALE DRAWING	SIZE: B	DWG. NO: 4-1767-01	REV. SHEET: E 1 OF 1
.x \pm .2 .xx \pm .02 .xxx \pm .010		ENGR. APPR:  Frank Martin <small>Digitally signed by Frank Martin DN: cn=Frank Martin, o=DEL Ozone, ou, email=frankmartin@delozone.com, c=US Date: 2019.04.05 08:47:22 -0700</small>							
ANGLES $\pm 1^\circ$		CHECKED:							
FINISH:		Q.A. APPR:							

ZONE	REV.	DESCRIPTION	ECN	DATE
E		SHOW NEW TANK WITH MOLDED BASE AND TOP MANWAY	ECN01708	03/21/2019
REVISIONS				

D
C
B
A
B FORMAT REV A