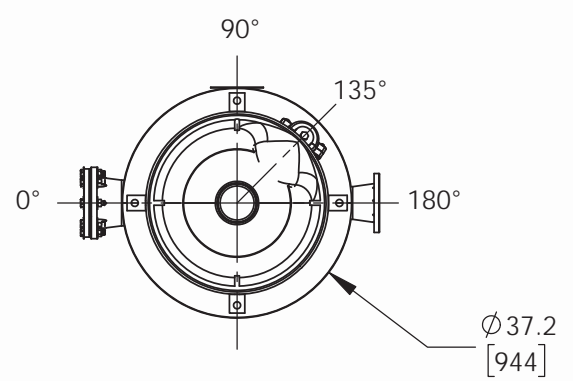



INTERNAL PLUMBING VIEW



BOTTOM VIEW

SPECIFICATIONS	
MODEL	7-CT-0400
MATERIALS	TANK: HIGH STRENGTH FIBERGLASS, VINYL ESTER RESIN, REINFORCED CORROSION RESISTANT LINER INTERNAL PLUMBING: SCH 80 PVC ¹ HARDWARE: 316 SS
PRESSURE	50 PSI WORKING PRESSURE WITH 4:1 SAFETY FACTOR
SEISMIC	ZONE 4
AGENCY	NSF/ANSI STANDARD 50

- NOTES**
- ¹ DEL PROPRIETARY INTERNAL BAFFLING TO MEET NSF CONTACTING REQUIREMENTS.
 - ² LIFTING LUGS TO BE USED ONLY WITH EMPTY TANK.

ALL DIMENSIONS IN INCHES		APPROVALS:		DATE:		PROPERTY OF DEL OZONE THIS DOCUMENT AND THE DATA DISCLOSED HEREIN IS PROPRIETARY. IT IS NOT TO BE REPRODUCED, USED, OR OTHERWISE DISCLOSED IN WHOLE, OR IN PART, TO ANYONE, WITHOUT WRITTEN CONSENT FROM DEL OZONE.		 DEL ozone advanced sanitation solutions		TITLE: SPECIFICATION DRAWING, O3 CONTACT TANK, 400 GAL			
TOLERANCES: .x ± .2 .xx ± .02 .xxx ± .010		DRAWN: JBELL		03/20/2019						INTERPRET DRAWING PER ANSI Y14.5-1994 SCALE: 1:31 DO NOT SCALE DRAWING		SIZE: B	
MATERIAL: FINISH:		ENGR. APPR: Frank Martin <small>Digitally signed by Frank Martin DN: cn=Frank Martin, o=DEL Ozone, ou, email=frankmartin@delozone.com, c=US Date: 2019.04.05 09:21:51 -0700</small>		CHECKED:		Q.A. APPR:							

ZONE	REV.	DESCRIPTION	ECN	DATE
E		SHOW NEW STYLE TANK WITH MANWAY ON TOP	ECN01708	03/20/2019
REVISIONS				

D
 C
 B
 A
 B FORMAT REV A