

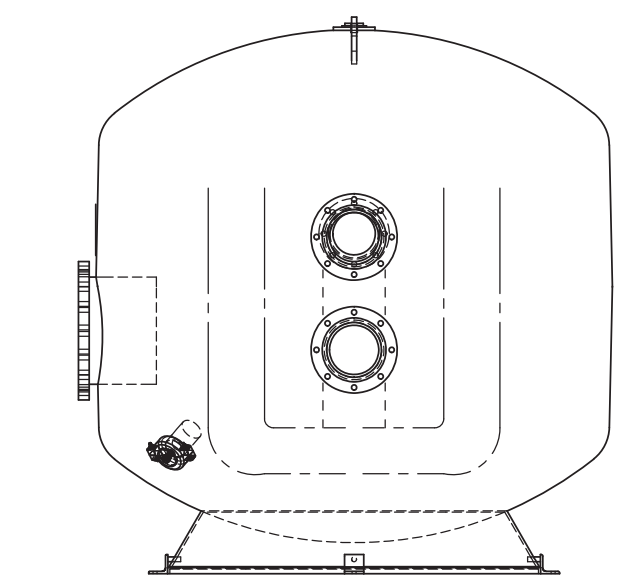
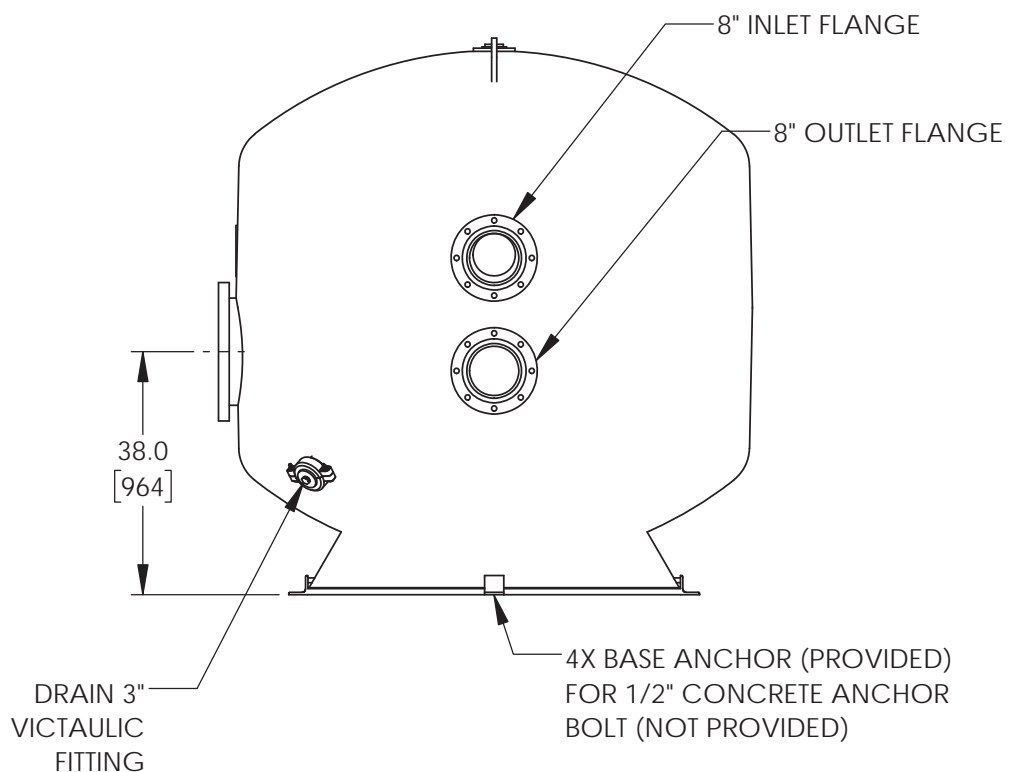
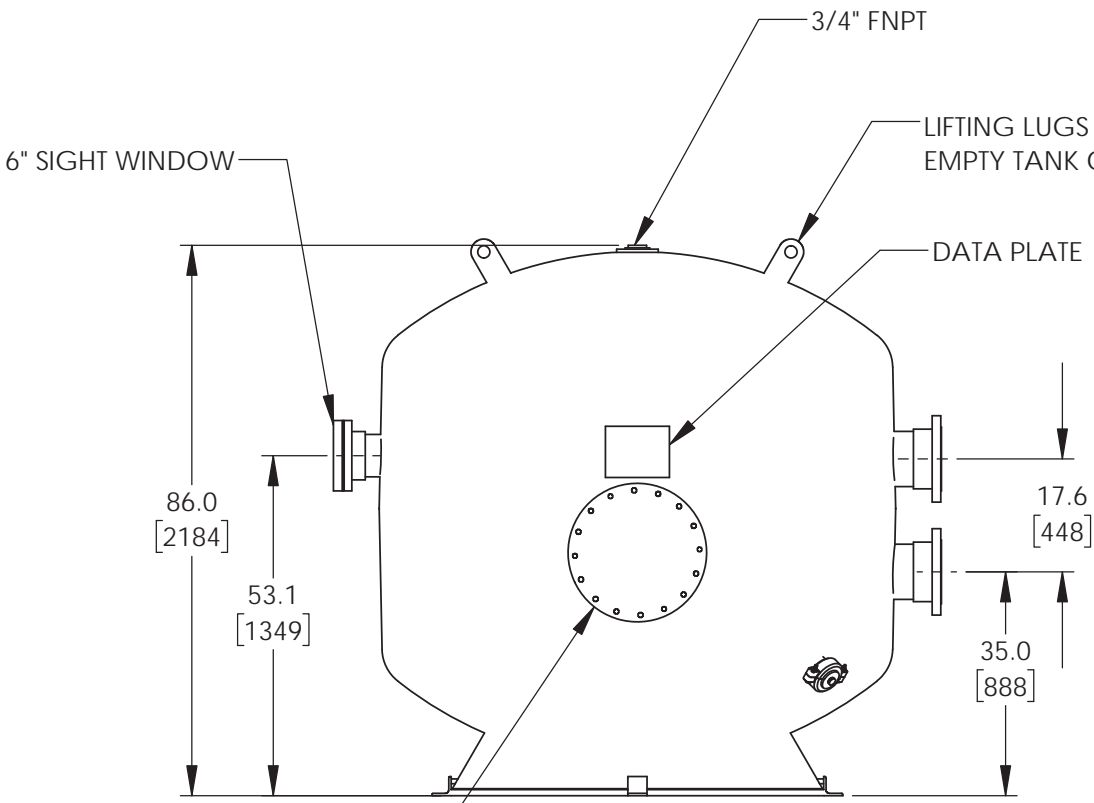
D

C

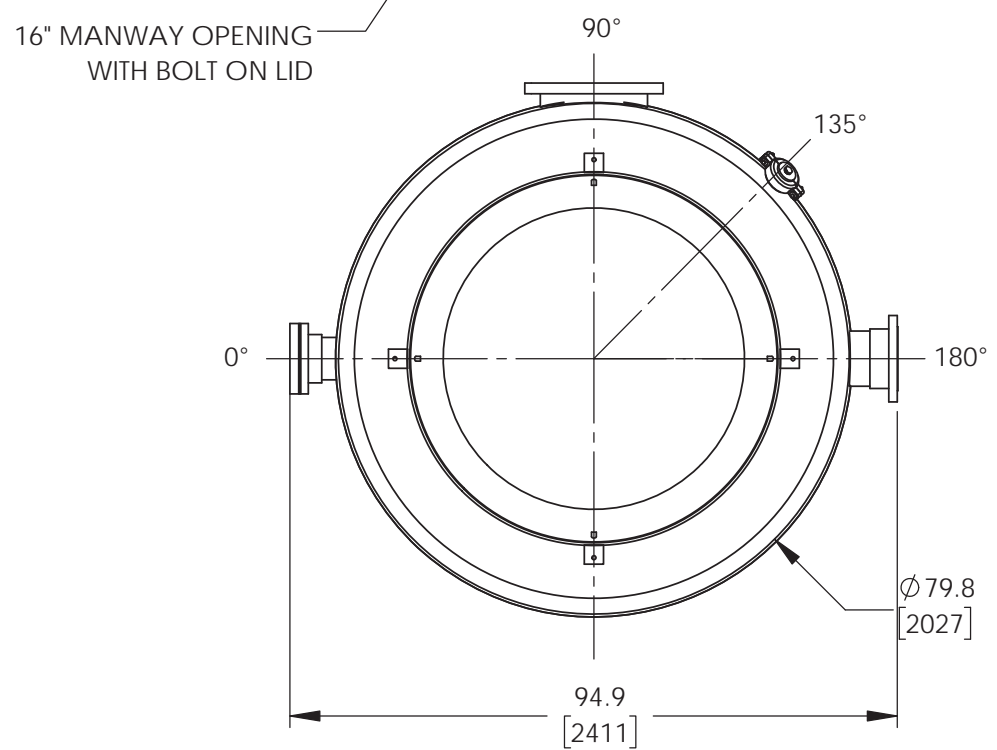
B

A

B FORMAT REV A



INTERNAL PLUMBING VIEW




BOTTOM VIEW

SPECIFICATIONS	
MODEL	7-CT-1200
MATERIALS	TANK: HIGH STRENGTH FIBERGLASS, VINYL ESTER RESIN, REINFORCED CORROSION RESISTANT LINER INTERNAL PLUMBING: SCH 80 PVC ¹ HARDWARE: 316 SS
PRESSURE	50 PSI WORKING PRESSURE WITH 4:1 SAFETY FACTOR
SEISMIC	ZONE 4
AGENCY	NSF/ANSI STANDARD 50

NOTES

- ¹ DEL PROPRIETARY INTERNAL BAFFLING TO MEET NSF CONTACTING REQUIREMENTS.
- ² LIFTING LUGS TO BE USED ONLY WITH EMPTY TANK.

ALL DIMENSIONS IN INCHES		APPROVALS:	DATE:	PROPERTY OF DEL OZONE THIS DOCUMENT AND THE DATA DISCLOSED HEREIN IS PROPRIETARY. IT IS NOT TO BE REPRODUCED, USED, OR OTHERWISE DISCLOSED IN WHOLE, OR IN PART, TO ANYONE, WITHOUT WRITTEN CONSENT FROM DEL OZONE.	 advanced sanitation solutions	TITLE:	
TOLERANCES:		DRAWN:	03/20/2019			SPECIFICATION_DRAWING, O3_CONTACT_TANK,1200GAL	
.x ± .1 .xx ± .02 .xxx ± .010		ENGR. APPR: Frank Martin	<small>Digitally signed by Frank Martin DN: cn=Frank Martin, o=DEL Ozone, ou, email=frankmartin@delozone.com, c=US Date: 2019.04.05 08:52:58 -07'00'</small>			DWG. NO:	
ANGLES ± 1°		CHECKED:				4-1767-06	REV. SHEET:
MATERIAL:		Q.A. APPR:		SCALE: 1:30	D	1 OF 1	
FINISH:				DO NOT SCALE DRAWING			

ZONE	REV.	DESCRIPTION	ECN	DATE
	D	UPDATE WITH NEW MANWAY COVER AND DRAIN FITTING	ECN01708	03/22/2019
	C	CHANGE INLET AND OUTLET	5393	11/12/2014
REVISIONS				