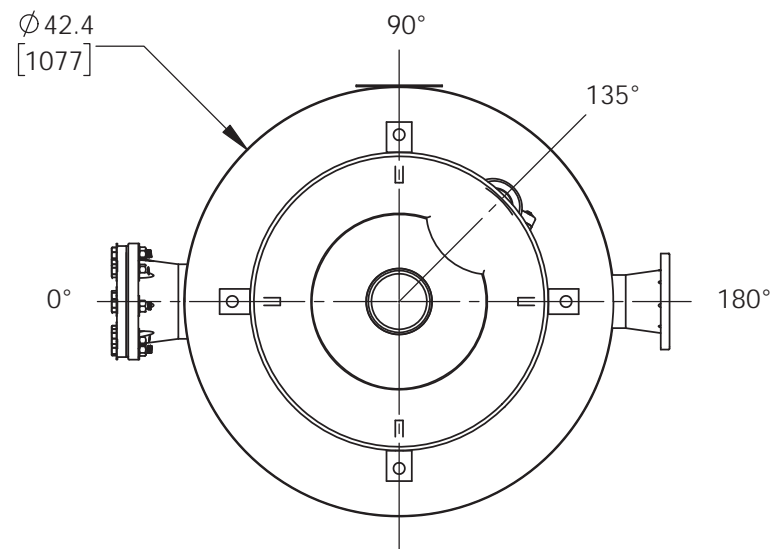



INTERNAL PLUMBING VIEW



BOTTOM VIEW

SPECIFICATIONS	
MODEL	7-CT-0200-01
MATERIALS	TANK: HIGH STRENGTH FIBERGLASS, VINYL ESTER RESIN, REINFORCED CORROSION RESISTANT LINER INTERNAL PLUMBING: SCH 80 PVC $\triangle 1$ HARDWARE: 316 SS
PRESSURE	50 PSI WORKING PRESSURE WITH 4:1 SAFETY FACTOR
SEISMIC	ZONE 4
AGENCY	NSF/ANSI STANDARD 50

- NOTES**
- $\triangle 1$. DEL PROPRIETARY INTERNAL BAFFLING TO MEET NSF CONTACTING REQUIREMENTS.
 - $\triangle 2$. LIFTING LUGS TO BE USED ONLY WITH EMPTY TANK.

ALL DIMENSIONS IN INCHES		APPROVALS:	DATE:	PROPERTY OF DEL OZONE THIS DOCUMENT AND THE DATA DISCLOSED HEREIN IS PROPRIETARY. IT IS NOT TO BE REPRODUCED, USED, OR OTHERWISE DISCLOSED IN WHOLE, OR IN PART, TO ANYONE, WITHOUT WRITTEN CONSENT FROM DEL OZONE.	 advanced sanitation solutions	TITLE: SPEC_DRAWING,O3_CONTACT_TANK,200GAL,42"DIA				
TOLERANCES:		DRAWN:	03/20/2019			INTERPRET DRAWING PER ANSI Y14.5-1994 SCALE: 1:19 DO NOT SCALE DRAWING	SIZE: B	DWG. NO: 4-1767-11	REV. B	SHEET: 1 OF 1
.x ± .2 .xx ± .02 .xxx ± .010		ENGR. APPR: Frank Martin								
ANGLES ± 1°		CHECKED:								
MATERIAL:		Q.A. APPR:								
FINISH:										

ALL	B	UPDATE WITH NEW MANWAY COVER AND DRAIN	ECN01708	03/20/2019
ZONE	REV.	DESCRIPTION	ECN	DATE
REVISIONS				

D
C
B
A
B FORMAT REV A