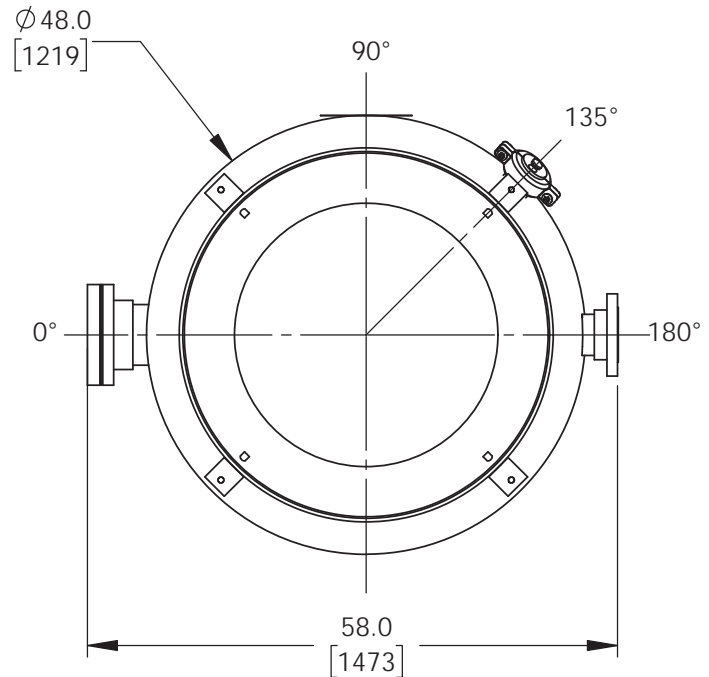



INTERNAL PLUMBING VIEW



BOTTOM VIEW

SPECIFICATIONS	
MODEL	7-CT-0400-01
MATERIALS	TANK: HIGH STRENGTH FIBERGLASS, VINYL ESTER RESIN, REINFORCED CORROSION RESISTANT LINER INTERNAL PLUMBING: SCH 80 PVC ¹ HARDWARE: 316 SS
PRESSURE	50 PSI WORKING PRESSURE WITH 4:1 SAFETY FACTOR
SEISMIC	ZONE 4
AGENCY	NSF/ANSI STANDARD 50

- NOTES**
- ¹. DEL PROPRIETARY INTERNAL BAFFLING TO MEET NSF CONTACTING REQUIREMENTS.
 - ². LIFTING LUGS TO BE USED ONLY WITH EMPTY TANK.

ALL DIMENSIONS IN INCHES		APPROVALS:	DATE:	PROPERTY OF DEL OZONE THIS DOCUMENT AND THE DATA DISCLOSED HEREIN IS PROPRIETARY. IT IS NOT TO BE REPRODUCED, USED, OR OTHERWISE DISCLOSED IN WHOLE, OR IN PART, TO ANYONE, WITHOUT WRITTEN CONSENT FROM DEL OZONE.	 advanced sanitation solutions	TITLE:	
TOLERANCES:		DRAWN:	7/28/2014			SPEC_DRAWING,O3_CONTACT	
.x ± .2		ENGR. APPR:	Frank Martin			_TANK,400GAL,47"DIA	
.xx ± .02		CHECKED:				DWG. NO:	REV.
ANGLES ± 1°		Q.A. APPR:		4-1767-12	C	1 OF 1	
MATERIAL:				SCALE: 1:21			
FINISH:				DO NOT SCALE DRAWING			

ZONE	REV.	DESCRIPTION	ECN	DATE
	C	UPDATE WITH NEW MANWAY COVER AND DRAIN	ECN01708	03/20/2019
	B	CHANGE INLET AND OUTLET	5393	11/12/2014
REVISIONS				

D
C
B
A
B FORMAT REV A