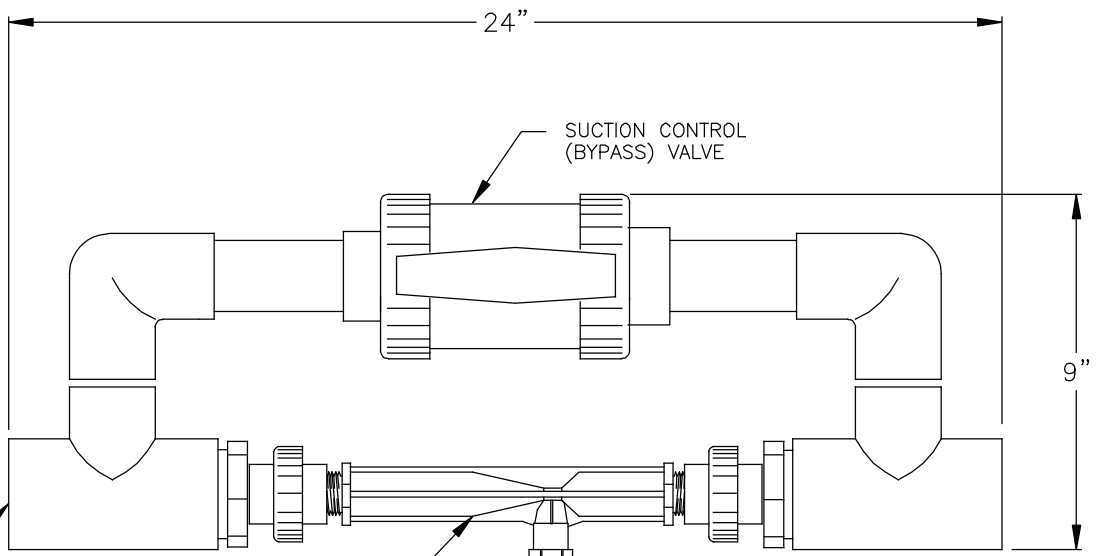


6	5	4	3	2	1
FIND QTY PART # REV				DESCRIPTION	



NOTES:
 △ DEL OZONE P/N IU-306.
 △ FITTINGS SHIPPED UNATTACHED.
 TO BE INSTALLED BY CUSTOMER.

MAIN FLOW
2" PVC

KYNAR INJECTOR
#978

EBLOW, 90°, S.S.
1/2" STREET
△

S.S. ISOLATION
BALL VALVE
△

3/8" S.S. COMPRESSION
FITTING
△

CHECK VALVE, S.S.,
3/8" X 3/8" TUBE
COMPRESSION
△

REVISIONS				
B	CALL OUT DEL P/N, REVISE FITTING NOTES	8/17/11	4805	
A	RELEASED	1/22/07	3001	
LTR	ZONE	DESCRIPTION	DATE	ECN

ALL DIMENSIONS ARE IN INCHES
 TOLERANCES:
 .XX ±.03 ANGLES: ±3°
 .XXX ±.010
 DO NOT SCALE DRAWING
 MATERIAL:

APPROVALS	DATE
DRAWN: F.R.	10/7/04
CHECKED: M.KIRKLAND	2011.08.18 11:28:16
RELEASED:	-07'00'



PROJECT: INJECTOR MANIFOLD ASSEMBLY		
TITLE: SPECIFICATION		
PART NO: 4-1026-01	REV. B	SHEET: 1 OF 1