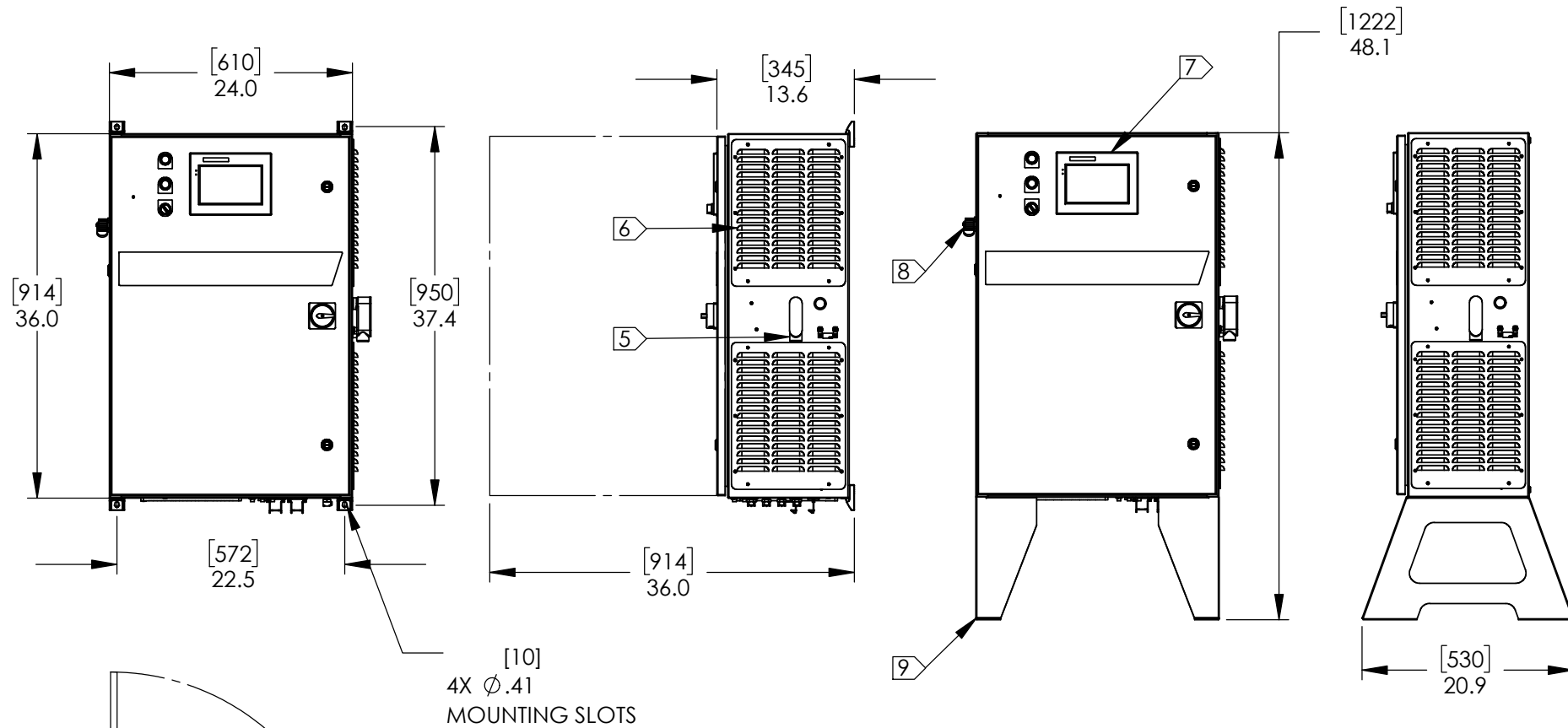
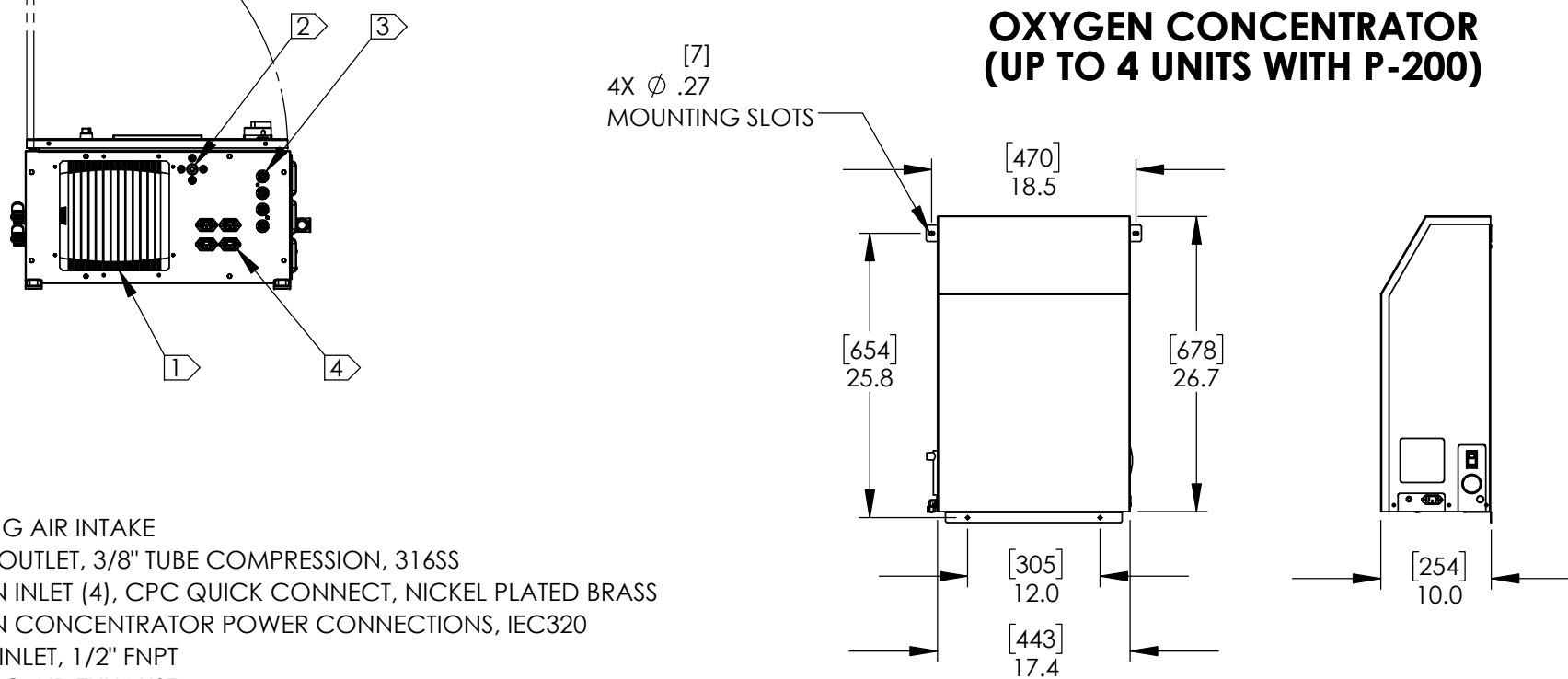


OZONE GENERATOR



OXYGEN CONCENTRATOR (UP TO 4 UNITS WITH P-200)



- 1) COOLING AIR INTAKE
- 2) OZONE OUTLET, 3/8" TUBE COMPRESSION, 316SS
- 3) OXYGEN INLET (4), CPC QUICK CONNECT, NICKEL PLATED BRASS
- 4) OXYGEN CONCENTRATOR POWER CONNECTIONS, IEC320
- 5) POWER INLET, 1/2" FNPT
- 6) COOLING AIR EXHAUST
- 7) USER INTERFACE
- 8) NETWORK CONNECTION, ETHERNET (OPTIONAL)
- 9) FLOOR MOUNTING KIT (OPTIONAL)

STANDARD SPECIFICATIONS	
MODEL NUMBER	P-200-XX
CABINET SIZE	36" X 24" X 13"
POWER REQUIRED	240 VAC, 50HZ, 20.4A*
OZONE OUTPUT (+/- 10%)**	2.9-8.4 LB./DAY (54-158G/HR), 5.1-7.0% BY WT CONCENTRATION, DEPENDENT ON OXYGEN FLOW
OPERATOR INTERFACE	7" COLOR TOUCHSCREEN
OPERATOR INTERFACE LANGUAGES SUPPORTED	ENGLISH, CHINESE
HEAT REJECTION	6800 BTU/HR (GENERATOR) + 2450 BTU/HR FOR EACH OXYGEN CONCENTRATOR
POWER FACTOR	0.9 FULL LOAD
CONTROL SYSTEM	PLC
COOLING	FORCED AIR
OZONE TECHNOLOGY	PTI PLASMABLOCK
AIR PREP	EXTERNAL, CONTROLLED & POWERED THROUGH GENERATOR
PNEUMATIC CONTROL	CLOSED LOOP, PROPORTIONAL SOLENOID VALVE
DATA LOGGING	REMOVABLE USB MEMORY
O2 MONITORING	PRESSURE & CONCENTRATION
VACUUM MONITORING	VACUUM LOSS DETECTION
AMBIENT TEMPERATURE REQUIREMENT	40°F-105°F
NEMA RATING	3R (OZONE GENERATOR ONLY, WHEN EQUIPPED WITH OPTIONAL PROTECTIVE PARTS)
NSF	LISTED STANDARD 50
BACKFLOW PREVENTION & DETECTION	INCLUDED STANDARD
OPTIONS	
STAINLESS STEEL ENCLOSURE (SHOWN)	
LOCAL NETWORK CONNECTIVITY & REMOTE SERVICE DIAGNOSTICS	
FLOOR MOUNTING KIT (PN. 9-1253-01)	
*RATING INCLUDES 4 OXYGEN CONCENTRATOR ASSEMBLIES	
**MEASURED AT 70°F AMBIENT TEMPERATURE AND 15PSI OXYGEN FEED PRESSURE	

USER INPUTS		
	DESCRIPTION	SIGNAL TYPE
ANALOG***	O3 POWER SETTING	4-20mA ANALOG
	DISSOLVED O3	4-20mA W/ INTERNAL CLOSED LOOP PROPORTIONAL SETPOINT CONTROL (0-5V, 0-10V, 0-20mA SIGNALS CAN ALSO BE ACCOMMODATED)
	ORP	4-20mA W/ INTERNAL CLOSED LOOP PROPORTIONAL SETPOINT CONTROL (0-5V, 0-10V, 0-20mA SIGNALS CAN ALSO BE ACCOMMODATED)
DISCRETE	STOP	DISCRETE CONTACT
	STANDBY	DISCRETE CONTACT
	PROCESS FLOW SWITCH	DISCRETE CONTACT
	FAULT RESET	DISCRETE CONTACT
	DOSING #1	DISCRETE CONTACT
	DOSING #2	DISCRETE CONTACT
	AMBIENT O3	DISCRETE CONTACT
DIGITAL	MODBUS	SERIAL
	LOCAL NETWORK (OPTIONAL)	ETHERNET
USER OUTPUTS		
ANALOG	O3 POWER SUPPLY SETTING	4-20mA ANALOG
	VACUUM LEVEL	4-20mA ANALOG
	ORP or DO3 LEVEL	4-20mA ANALOG
DISCRETE	RUN INDICATOR	DISCRETE DRY CONTACT
	STANDBY INDICATOR	DISCRETE DRY CONTACT
DIGITAL	LOCAL NETWORK (OPTIONAL)	ETHERNET

***ANALOG INPUTS ARE PASSIVE AND REQUIRE EXTERNALLY POWERED SIGNALS

ZONE	REV.	DESCRIPTION	ECN	DATE
B		REVISE FOR 50 HZ ONLY, INCREASED FLOW RANGE	CMP01984	1/3/2020
A		INITIAL RELEASE	5676	11/13/2015

ALL DIMENSIONS IN INCHES [mm]		APPROVALS:	DATE:	PROPERTY OF DEL OZONE THIS DOCUMENT AND THE DATA DISCLOSED HEREIN IS PROPRIETARY. IT IS NOT TO BE REPRODUCED, USED, OR OTHERWISE DISCLOSED IN WHOLE, OR IN PART, TO ANYONE, WITHOUT WRITTEN CONSENT FROM DEL OZONE.
TOLERANCES:	ANGLES ±1°	DRAWN:	3/27/2015	
.x ± .1 .xx ± .02 .xxx ± .010		J. WILSON		
MATERIAL:		ENGR. APPR:		
FINISH:		T. McNeil		
	NA	CHECKED:		
	NA	Q.A. APPR:		

		TITLE: SPECIFICATION, DRAWING, P-200	
INTERPRET DRAWING PER ANSI Y14.5-1994	SCALE: 1:16	SIZE: B	DWG. NO: 4-2324-02
DO NOT SCALE DRAWING		REV. B	SHEET: 1 OF 1